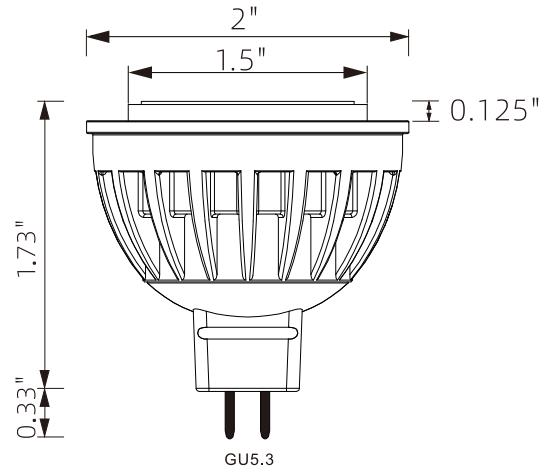


SMART MR16(COLOR CHANGEABLE)

LT1016C-B


 Powered By



FEATURES

- RGB (color changeable)
- CCT tunable (2700-6500K)
- Fully potted electronics
- Bluetooth control (Wifi version available)



SPECIFICATION

Input Voltage:	9-17V AC/DC
Wattage:	6W
Beam Spread:	30/45/60°
CCT:	2700-6500K ajustable
CRI:	85
Color:	RGBWW (color changeable)
Housing Material:	Die-cast Aluminum
Lamp Life:	50,000 Hours
Warranty:	5 years
Control app:	Tuya Smart App

Due to continuous development and improvements, specifications are subject to change without notice. LT TECH reserves the right to change lab test details or specifications without notice.