

LT2301

Materials

Die-cast brass

Body

Fully cast brass

Shroud

Fully machined. Twist/lock shroud for easy relamping and adjusting.

Knuckle

Machined brass knuckle with a solid brass adjustable thumb screw. Vertical tilt 270° and horizontal rotation of 360° for easy aiming.

Lens

Shock resistant/frosted lens

Gasket

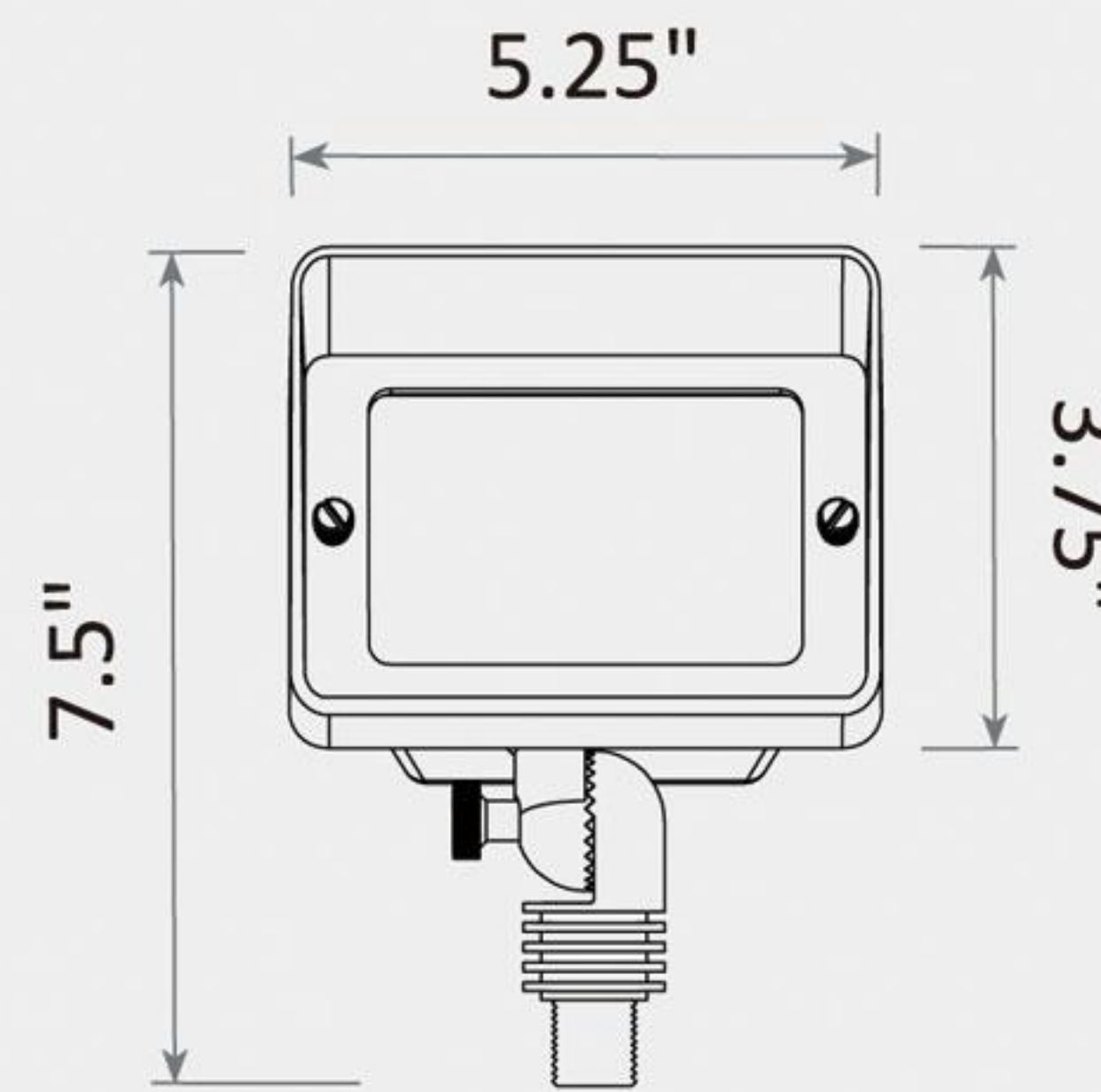
High-temperature silicone gasket for a water-tight seal.

Lamp

For use with a halogen lamp up to 50W G4 Lamp. LT Tech LED G4 lamps are available in 2W, 3W and 4W, in 2700K and 3000K.

Warranty

Limited lifetime warranty



LT2302

Materials

Die-cast brass

Body

Precision machined from solid brass casting;
Enclosed and water resistant wireway.

Shroud

Precision machined and comes with a factory sealed socket resistant glass lens to prevent water intrusion.

Knuckle

Machined brass knuckle with a solid brass adjustable thumb screw. Vertical tilt 270° and horizontal rotation of 360° for easy aiming.

Lens

Frosted lens

Gasket

High-temperature silicone gasket for a water-tight seal.

Lamp

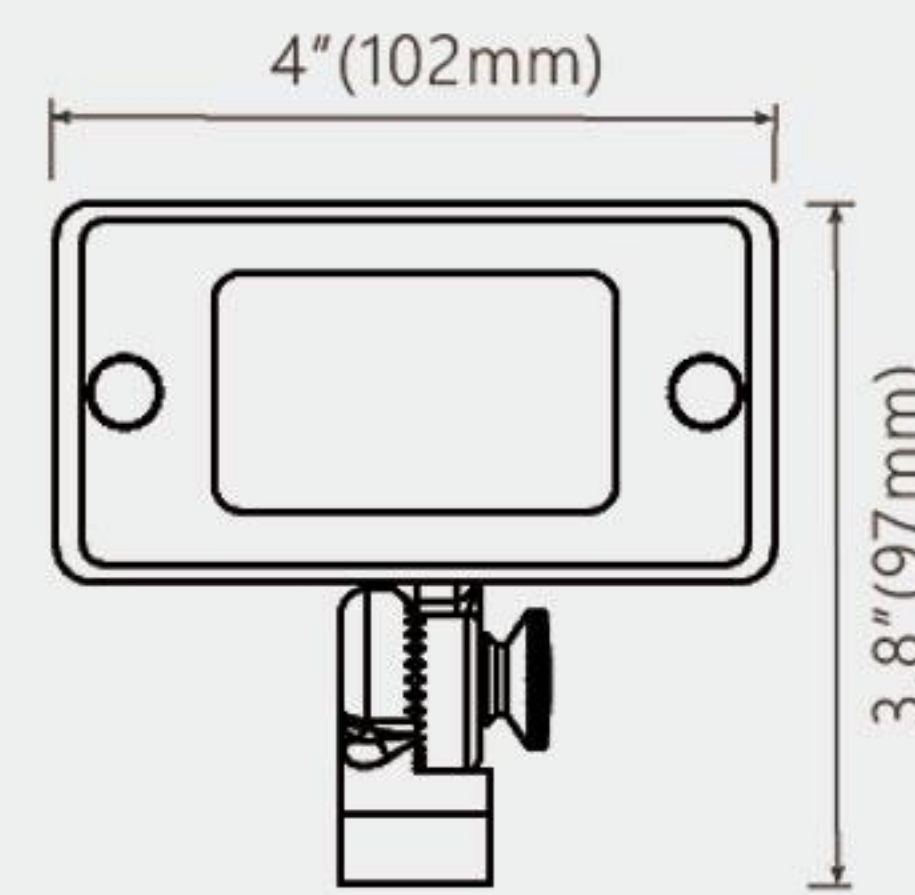
For use with a halogen lamp up to 50W MR16 Lamp. LT Tech LED lamps are available in 4W, 5W and 6W MR16, in 2700K and 3000K.

Warranty

Limited lifetime warranty



LT2303



Materials

Die-cast brass

Body

Fully cast brass

Shroud

Fully machined. Twist/lock shroud for easy relamping and adjusting.

Knuckle

Machined brass knuckle with a solid brass adjustable thumb screw. Vertical tilt 270° and horizontal rotation of 360° for easy aiming.

Lens

Shock resistant/frosted lens

Gasket

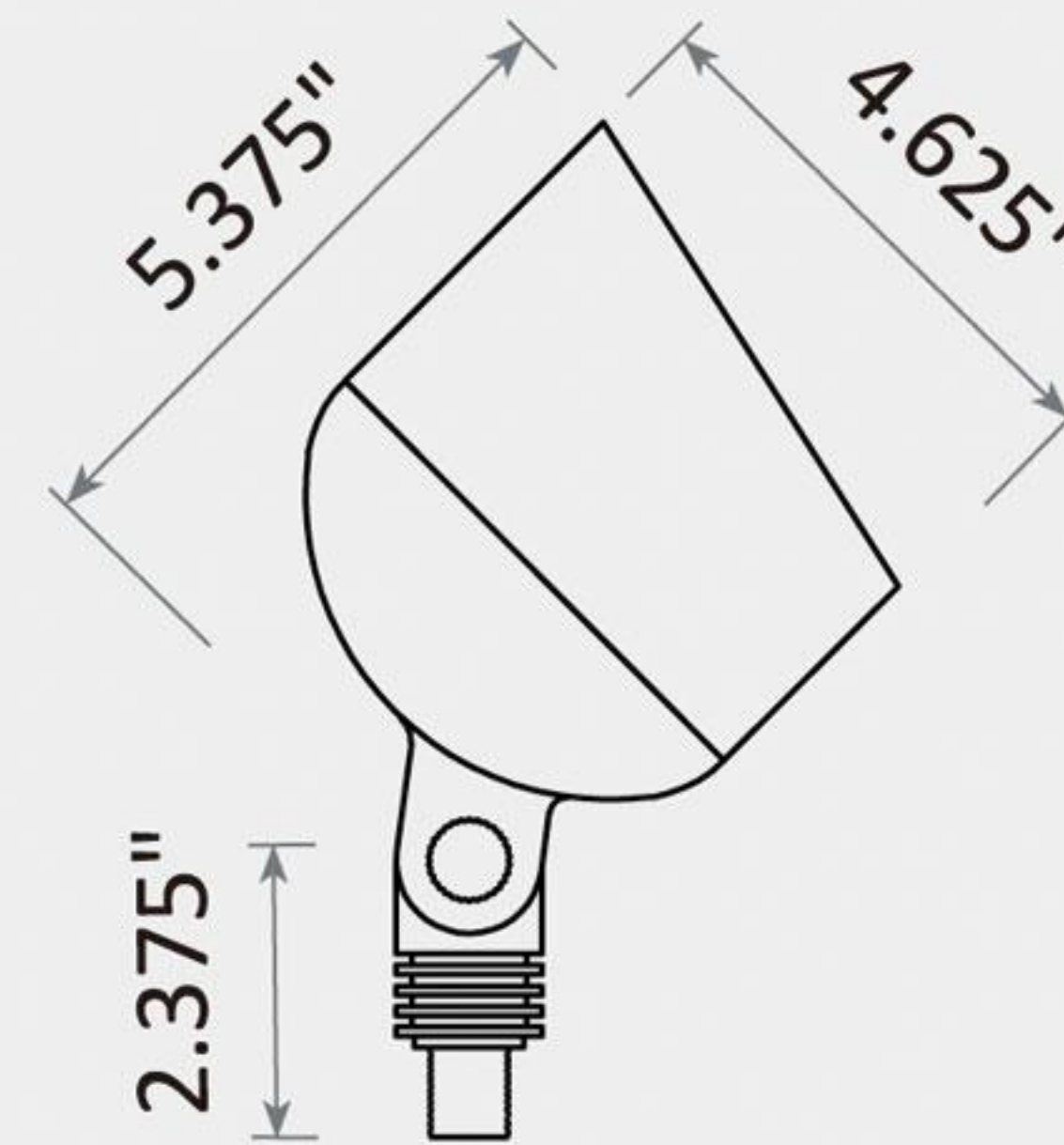
High-temperature silicone gasket for a water-tight seal.

Lamp

For use with a halogen lamp up to 50W G4 Lamp. LT Tech LED G4 lamps are available in 2W, 3W and 4W, in 2700K and 3000K.

Warranty

Limited lifetime warranty



LT2304

Materials

Die-cast brass

Body

Precision machined from solid brass casting.
Enclosed and water resistant wireway.

Shroud

Precision machined and comes with a factory sealed socket resistant glass lens to prevent water intrusion.

Knuckle

Machined brass knuckle with a solid brass adjustable thumb screw. Vertical tilt 270° and horizontal rotation of 360° for easy aiming.

Lens

Clear lens

Gasket

High-temperature silicone gasket for a water-tight seal.

Lamp

For use with a halogen lamp up to 50W PAR36 Lamp. LT Tech LED lamps are available in 6W, 10W and 13W PAR36, in 2700K and 3000K.

Warranty

Limited lifetime warranty