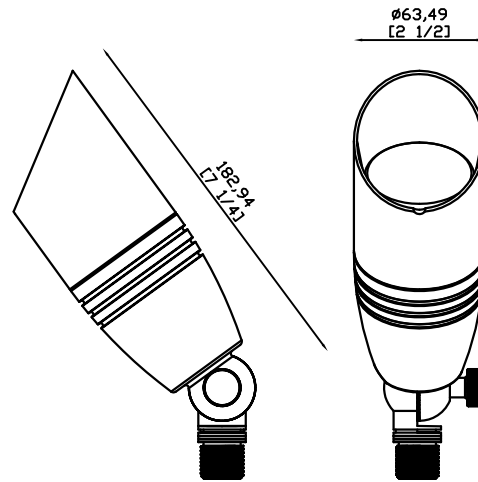


ALUMINUM UP LIGHT FIXTURE

LT2105A



FEATURES

- Made of durable die-cast aluminum
- Double silicone O rings to protect internal components from water
- Simple and compact design
- LED ready

SPECIFICATION

P/N	LT2105A
Material	Die-cast aluminum
Finish optional	Black/Brown/Gun Metal Black powder coating finish
Lamp	MR16 GU5.3 (not included)
Input Voltage	12V
Mounting	Ground Stake(included)
Lens	Clear convex glass
Lead Wire	48" (1.2 meters) Spt-1W 18 gauge lead wire
Dimension (Length*diameter)	7 1/4 * 2 1/2 inch
Warranty	Lifetime