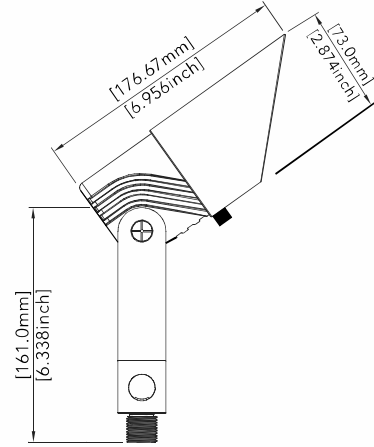


ALUMINUM UP LIGHT

LT9101A



☀ Wattage adjustable



FEATURES

- Made of durable die-cast aluminum
- Wattage adjustable
- Lens angle 24/36/60 degree replaceable




SPECIFICATION

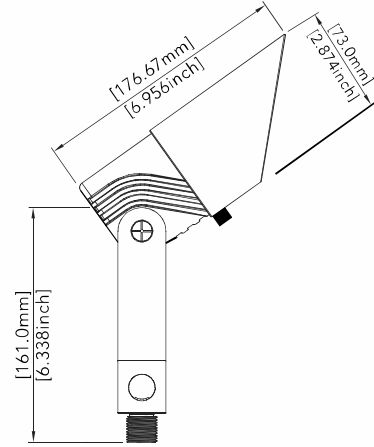
P/N	LT9101A
Wattage:	3-12W (Adjustable)
Lumen:	900LM Max.
Voltage:	9-17V AC/DC
CCT:	2700/3000K available
Beam Spread:	24/36/60 degree(replaceable)
Finish:	Black/bronze powder coating
Material:	Die-cast aluminum
Lens:	24/36/60D each 1 pc
Stake:	Included

ALUMINUM UP LIGHT

LT9101B



-  Wattage adjustable
-  RGBCW multi-color
-  Bluetooth



FEATURES

- Made of durable die-cast aluminum
- Bluetooth control
- RGBCW multi-color
- Lens angle 24/36/60 degree replaceable

SPECIFICATION

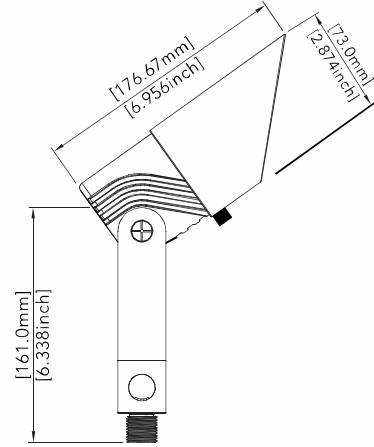
P/N	LT9101B
Wattage:	0-8W (Adjustable)
Lumen:	500LM Max.
Voltage:	9-17V AC/DC
CCT:	2700-6000K
Beam Spread Lens:	24/36/60 degree each 1 PC(replaceable)
Finish:	Black/bronze powder coating
Material:	Die-cast aluminum
Control mode:	Bluetooth
Stake:	Included

ALUMINUM UP LIGHT

LT9101C



- Wattage adjustable
- RGBCW multi-color
- Bluetooth
- Wi-Fi



FEATURES

- Made of durable die-cast aluminum
- Bluetooth or Wifi control dual mode
- RGBCW multi-color
- Lens angle 24/36/60 degree replaceable

SPECIFICATION

P/N	LT9101C
Wattage:	0-8W (Adjustable)
Lumen:	500LM Max.
Voltage:	9-17V AC/DC
CCT:	2700-6000K
Beam Spread Lens:	24/36/60 degree each 1 PC(replaceable)
Finish:	Black/bronze powder coating
Material:	Die-cast aluminum
Control mode:	Wifi or Bluetooth
Stake:	Included

Due to continuous development and improvements, specifications are subject to change without notice. LT TECH reserves the right to change lab test details or specifications without notice.